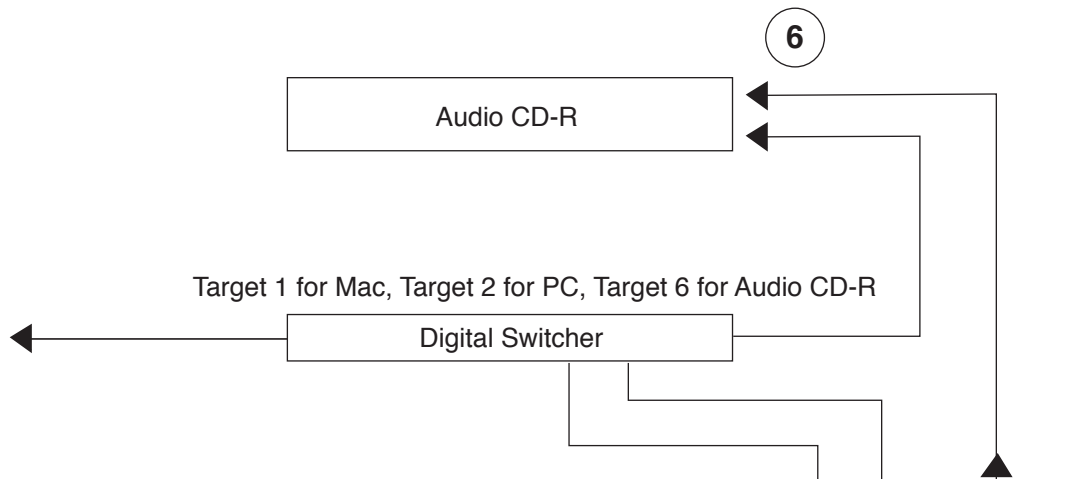


DIGITAL CURRICULUM CENTER AUDIO RACK SIGNAL ROUTING

Use digital (S/PDIF) paths when possible

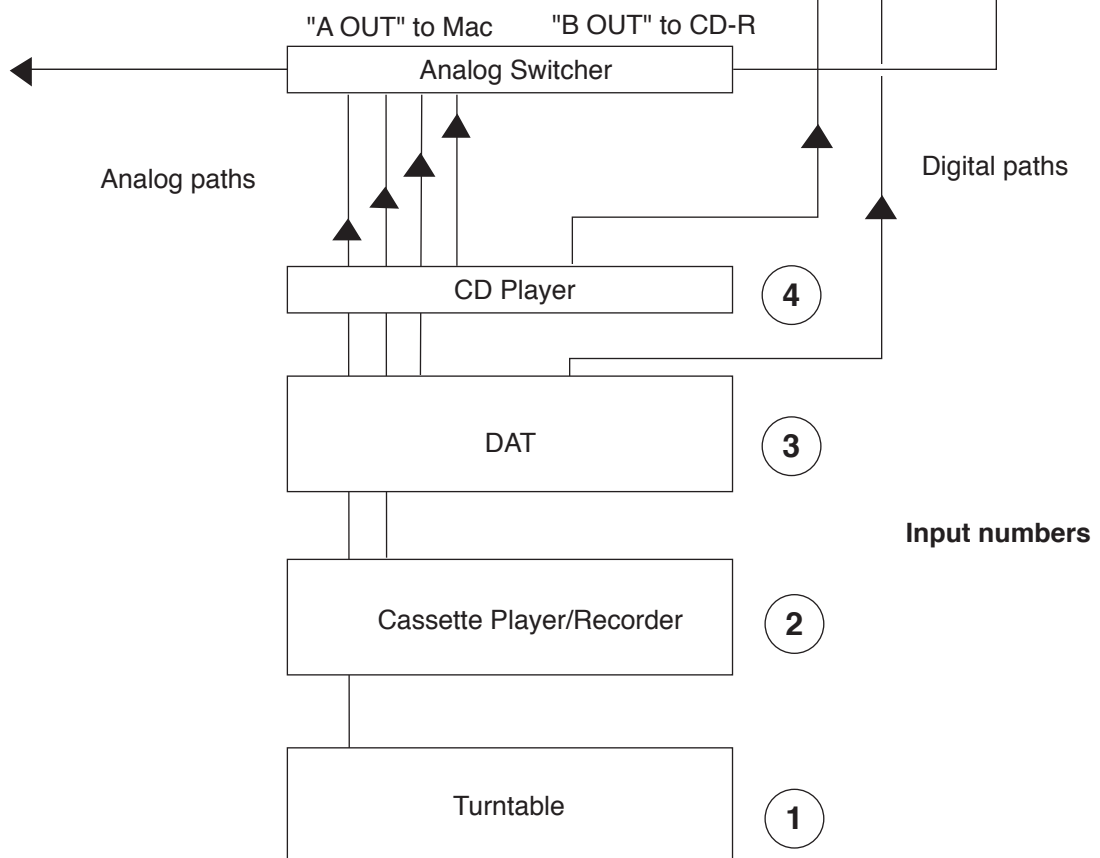
To use the digital switcher (DigiPatch):

1. Select target (where you want the signal to go to) on switcher (1 = Mac, 2 = PC, 6 = Audio CD recorder)
2. Select source (1 through 4, look at blue labels). Do not use a source with a period (optical)
3. In ProTools select "S/PDIF" input, in Audio CD-R select "Coaxial"



To use the analog switcher (Logitek):

1. Push button on switcher to select input (1 through 4, look at blue labels)
2. In ProTools select "Mic Line" input, in Audio CD-R select "Analog"



Input numbers